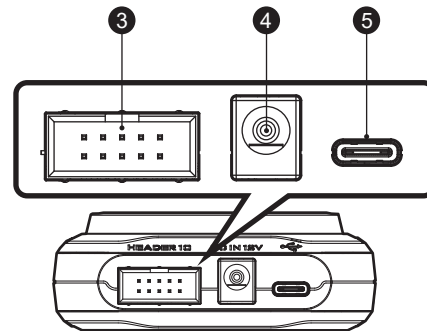
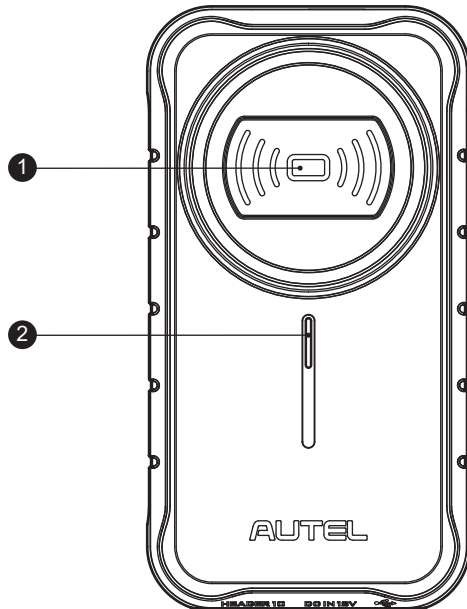


Thank you for purchasing this Autel tool. Our tools are manufactured to a high standard and — when used according to these instructions and properly maintained — will provide years of trouble-free performance.

APB300



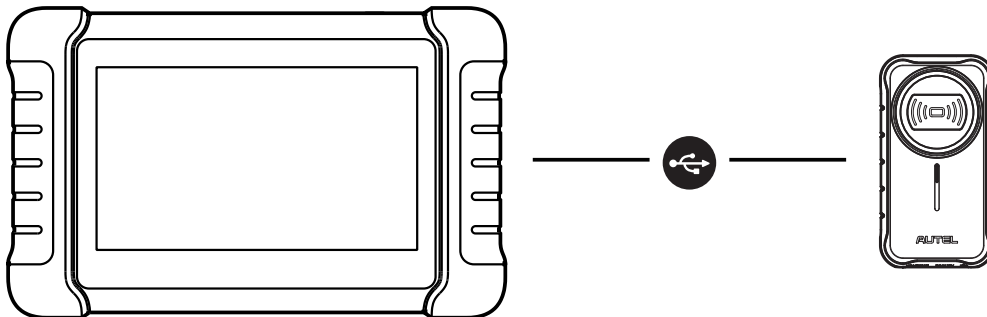
1. Vehicle Key Slot — holds the vehicle key
2. Status LED — illuminates solid red at power up and illuminates solid green when working properly and ready for use
3. Data Collection Port (Header 10)
4. DC Power Supply Input Port
5. USB Type-C Port

GETTING STARTED



IMPORTANT: Before operating or maintaining this unit, please read these instructions carefully, paying extra attention to the safety warnings and precautions. Use this unit correctly and with care. Failure to do so may cause damage and/or personal injury and will void the limited product warranty.

1. Connect the APB300 to the Autel IMMO tablet using the supplied USB cable.
2. Once connected, the status LED will illuminate solid green, indicating that the APB300 is working properly and ready for use.
3. Power up the tablet. Ensure the tablet has a charged battery or is connected to a DC power source.
4. Select the vehicle and follow the on-screen instructions to perform the required functions.



Connection Diagram

Precautions:

1. The APB300 key programmer needs to be used together with the Autel IMMO tablet. Do not disconnect the USB cable when in use.
2. If the tablet does not have a USB Type-A port, please use your own USB-C to USB-C cable or a compatible USB adapter for device connection.
3. The supplied terminal wire should be welded when prompted by the on-screen instructions on the tablet.

Compliance Information

Autel Intelligent Technology Corp., Ltd. hereby declares that the radio equipment type APB300 is in compliance with Directive 2014/53/EU.

The full text of the EU declaration of conformity is available at the following internet address:

<https://www.autel.com/download.jhtml>